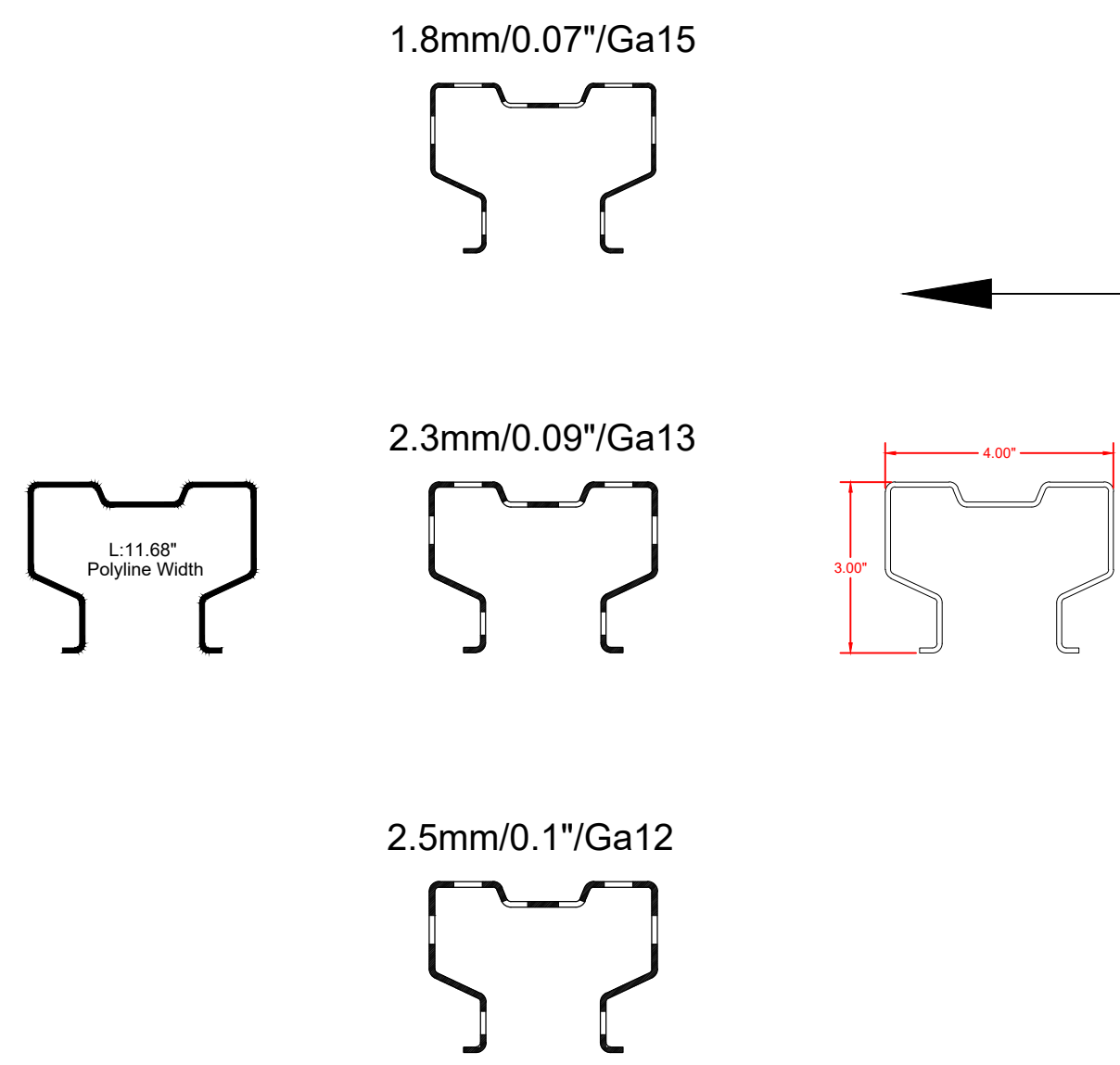
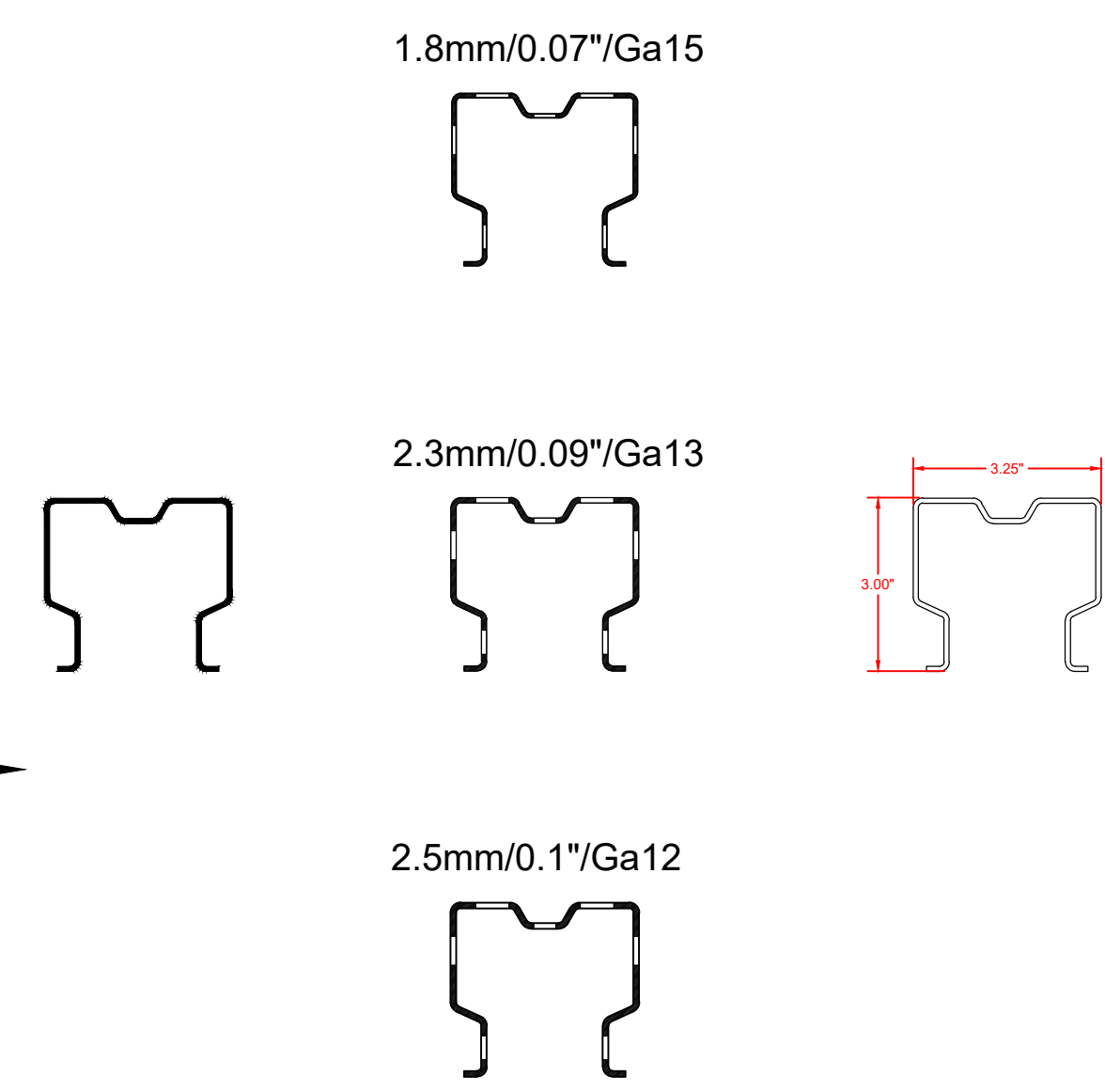
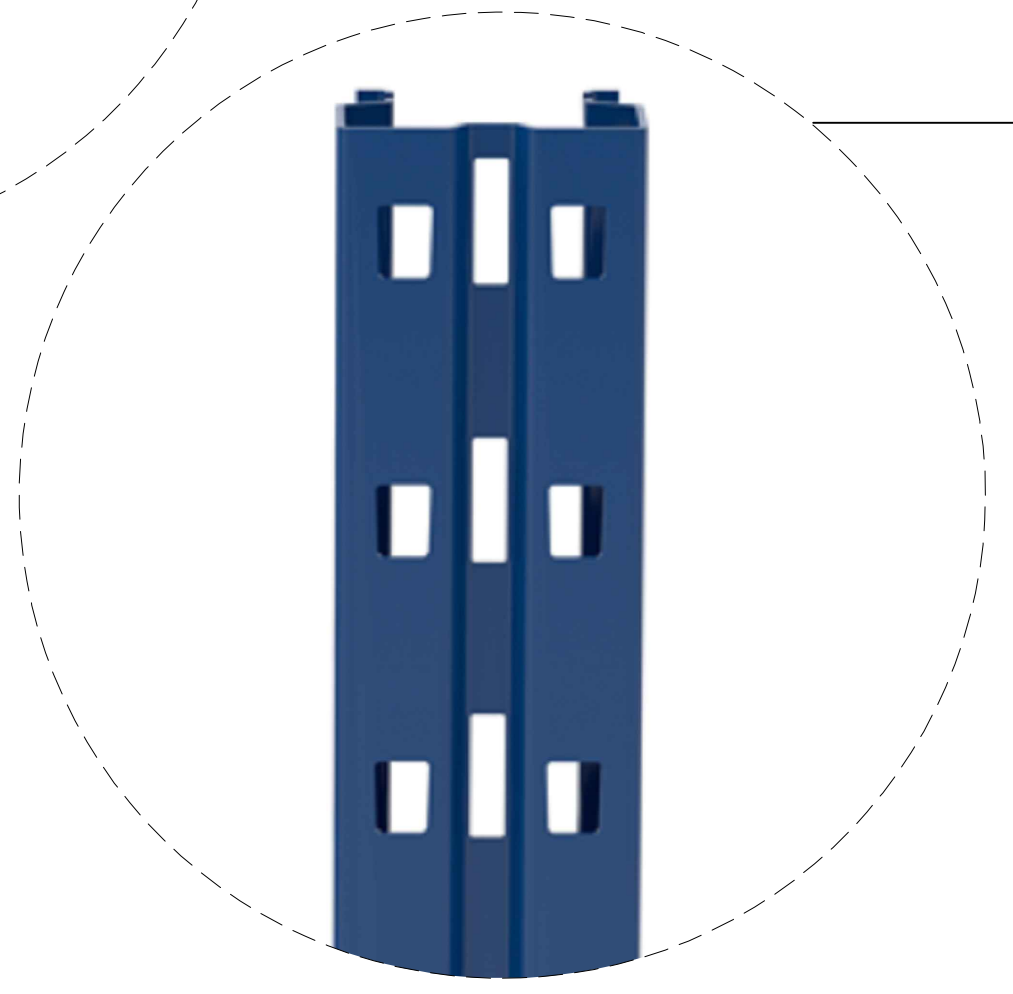
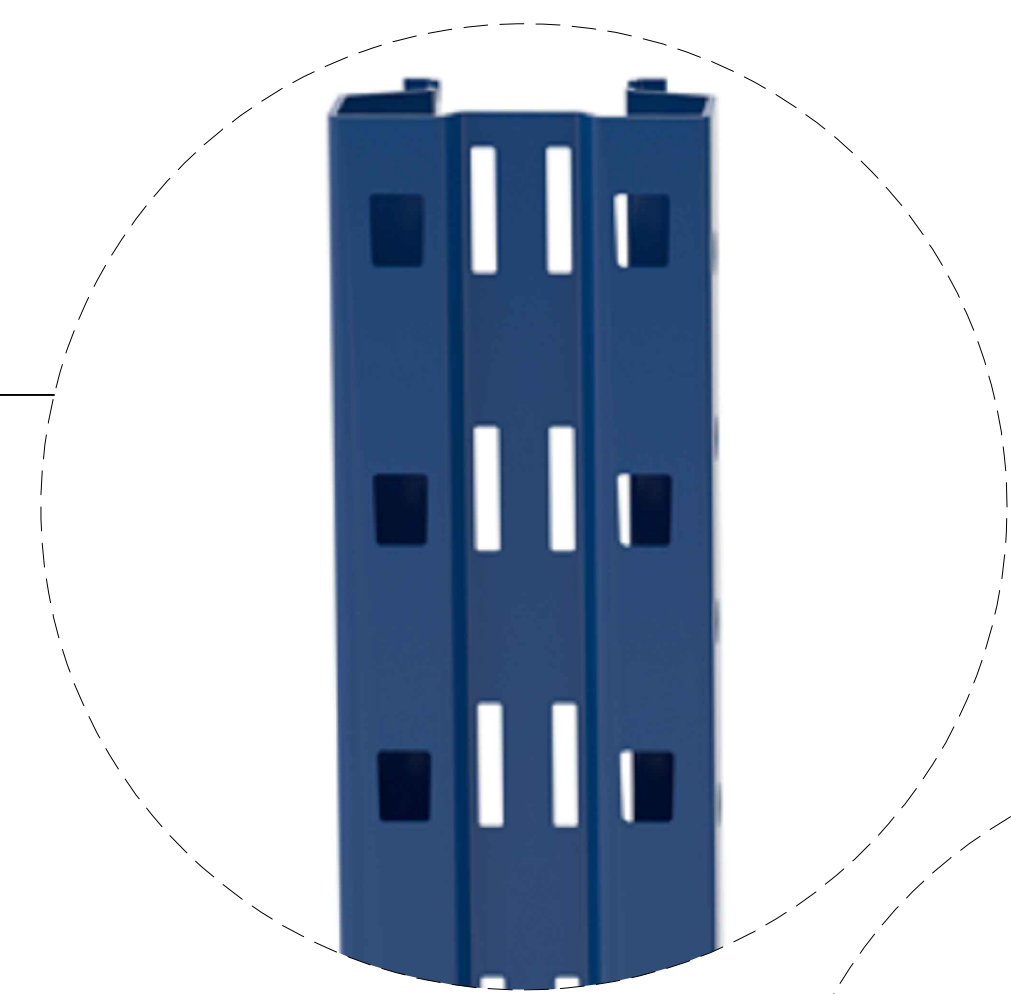


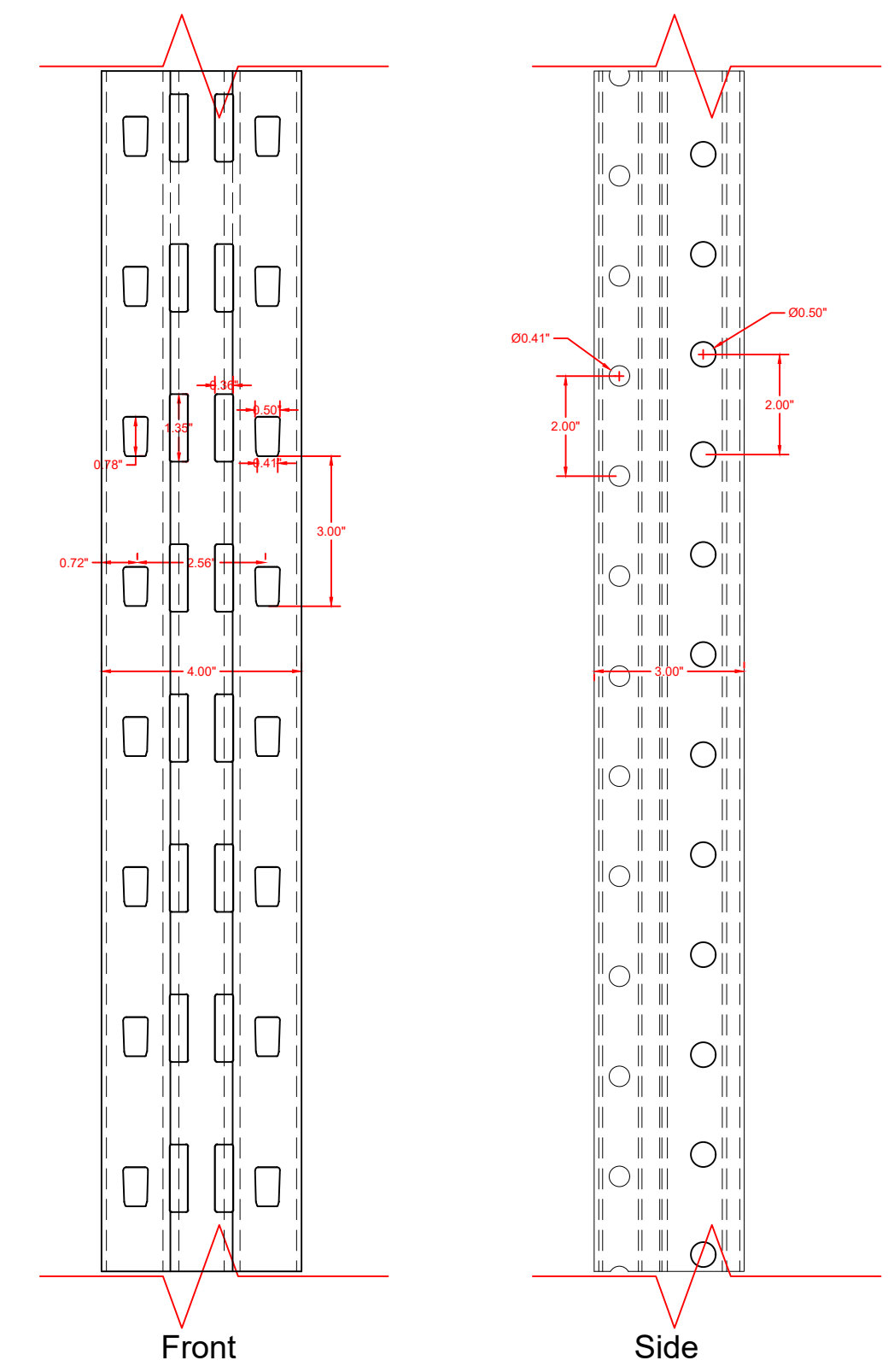
Revision Information	
Rev #	Changes
Date	



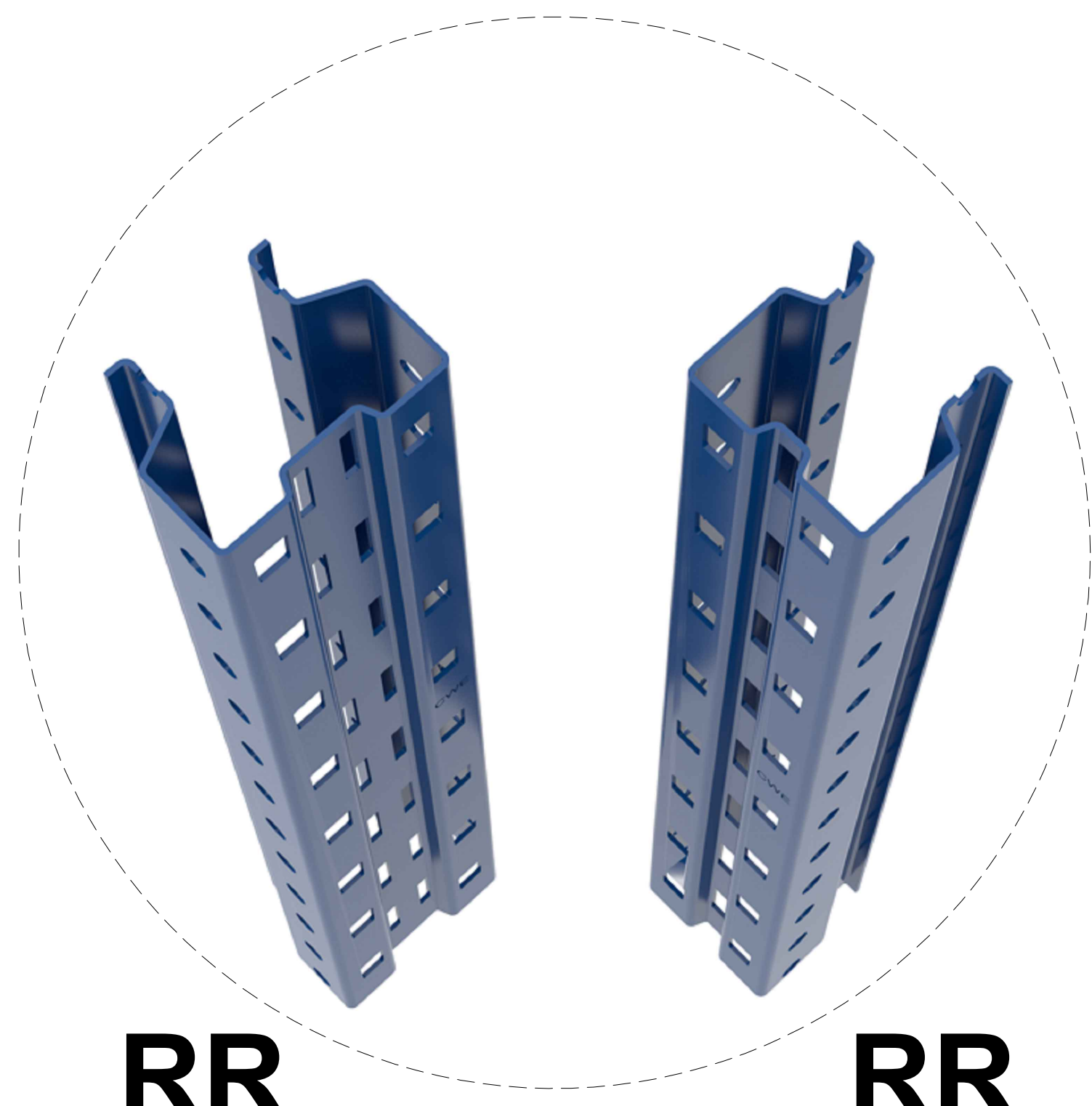
A1 Redirack Upright Post 4"
Section Views



B1 Redirack Upright Post 3.25"
Section Views



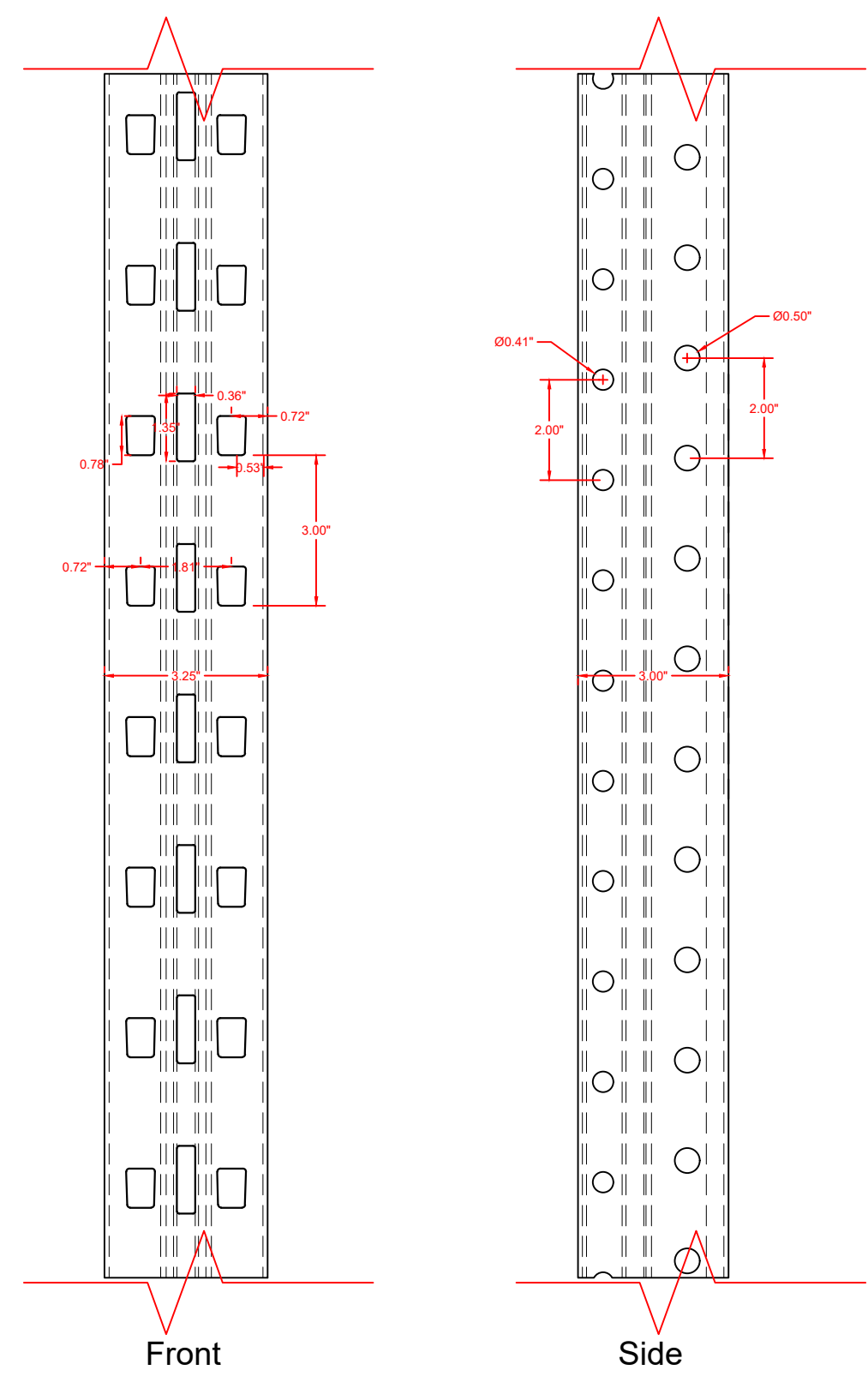
A2 Redirack Upright Post 4"
Front and Side View



RR
4"
Perspective



RR
3 1/4"
Perspective

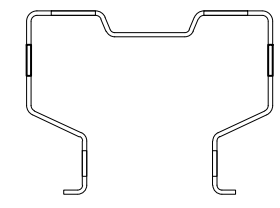


B2 Redirack Upright Post 3.25"
Front and Side View

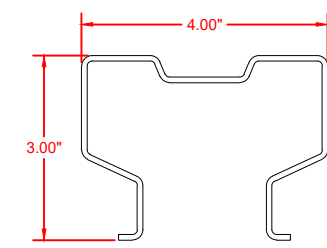
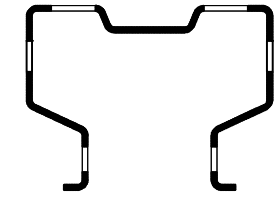
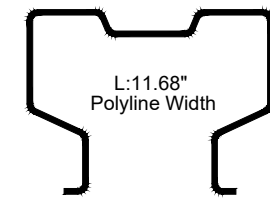
RNW Rack NetWork www.RNW.ca	CWE.LTD CENTRAL WIRE TECHNOLOGIES LTD.
Plot Date: 7/30/24	Drawing #: Upright Frames Redi Rack
Designer(s): GA	Sheet #: 1 OF 5
	Rev #: 4

Revision Information	
Rev #	Changes
Date	

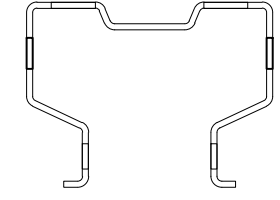
1.8mm/0.07"/Ga15



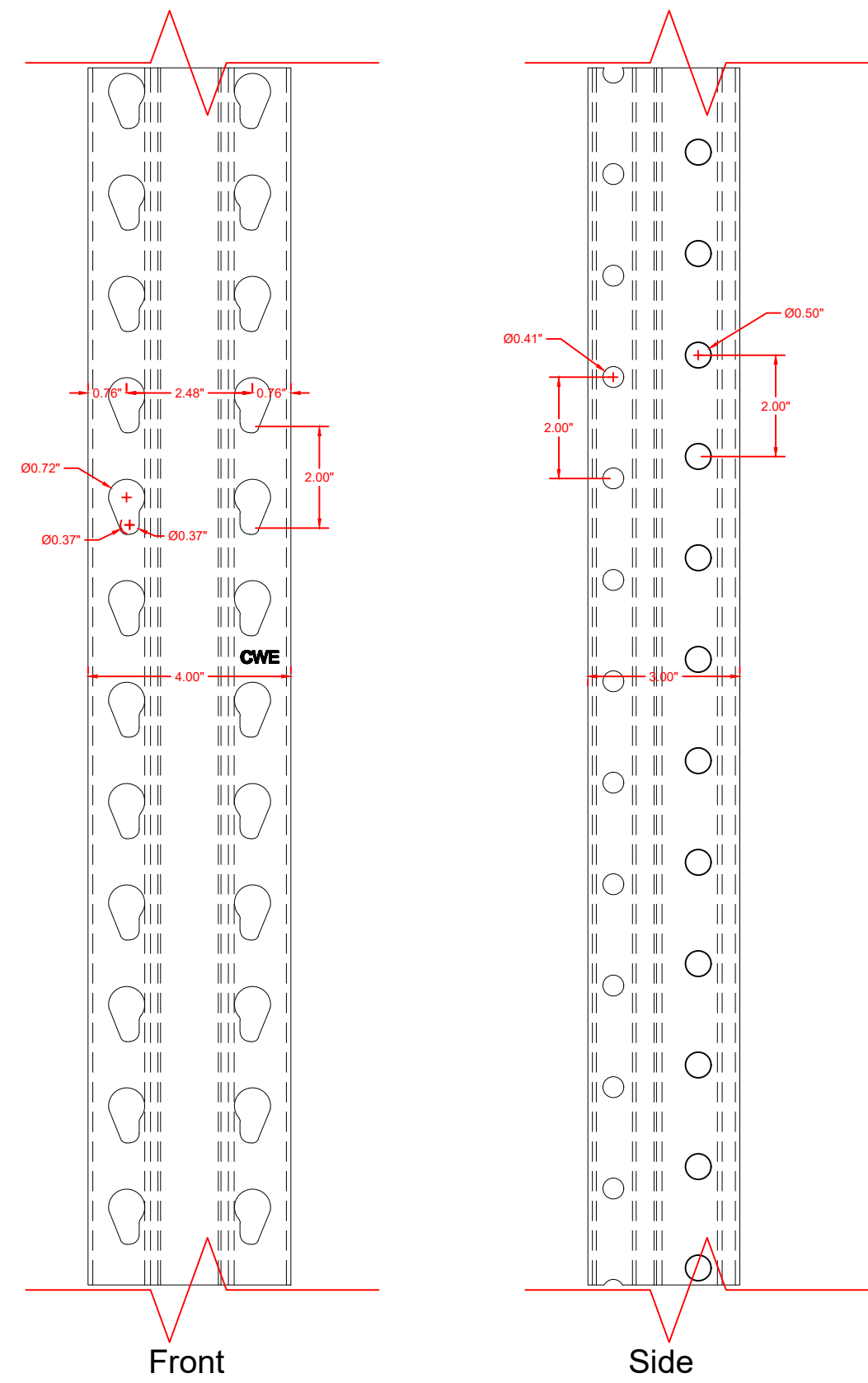
2.3mm/0.09"/Ga13



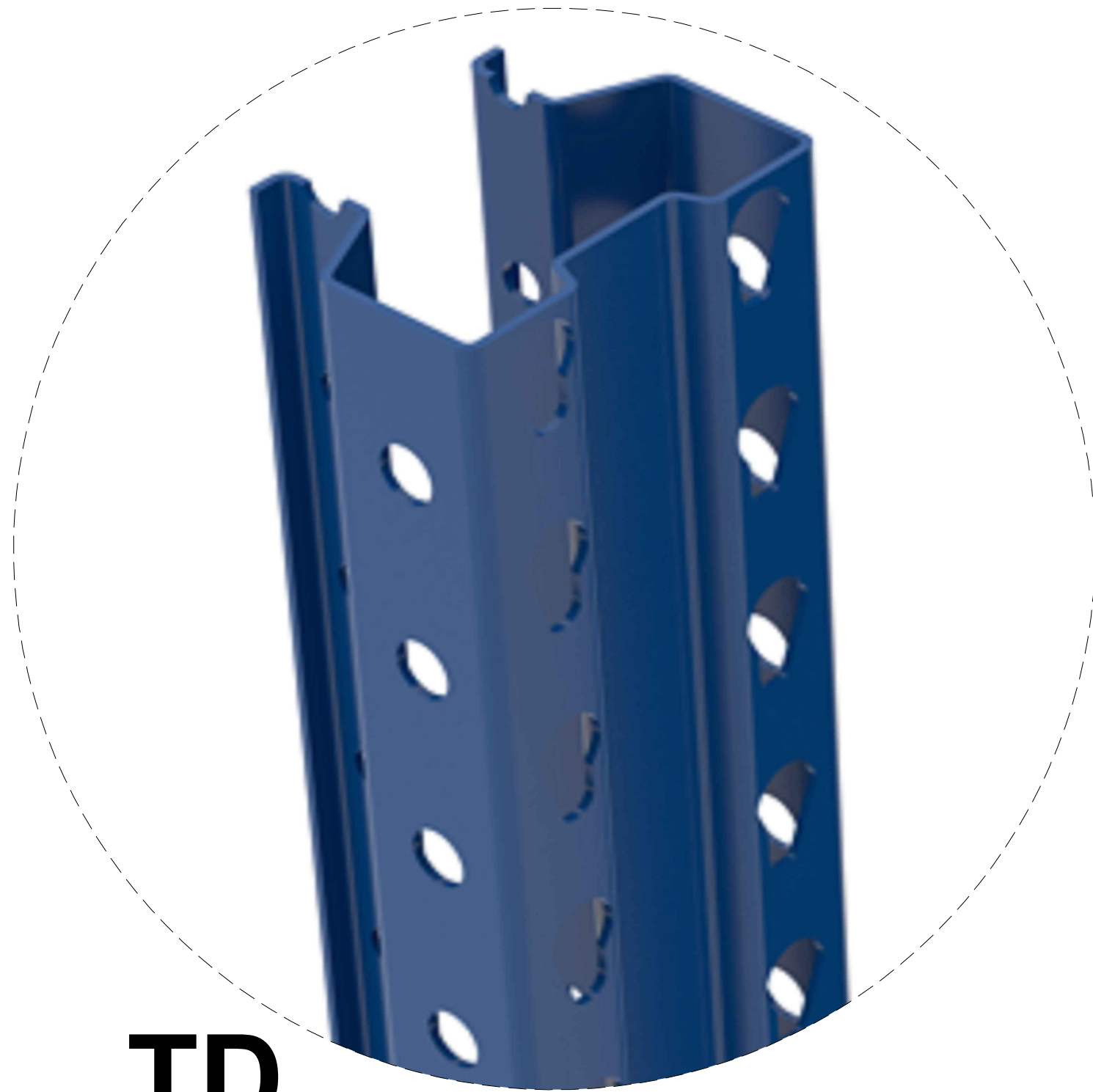
2.5mm/0.1"/Ga12



A1 Teardrop Upright Post 4"
Section Views



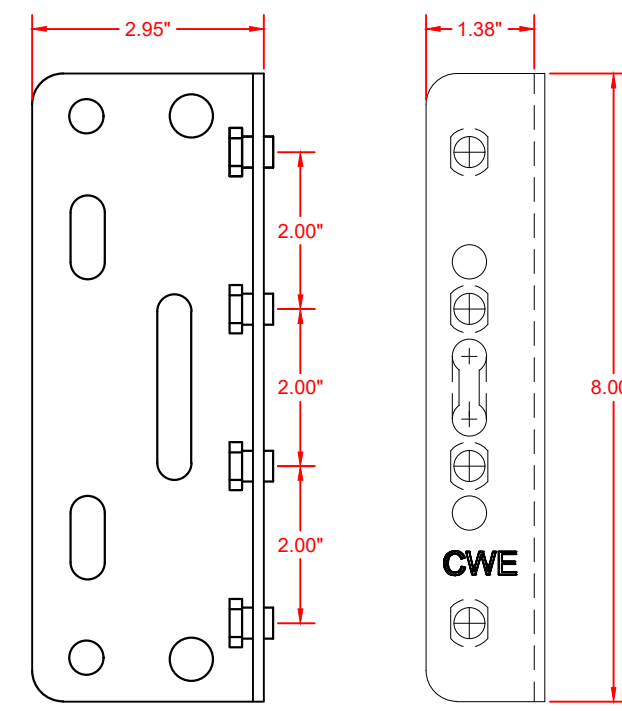
A2 Teardrop Upright Post 4"
Front and Side View



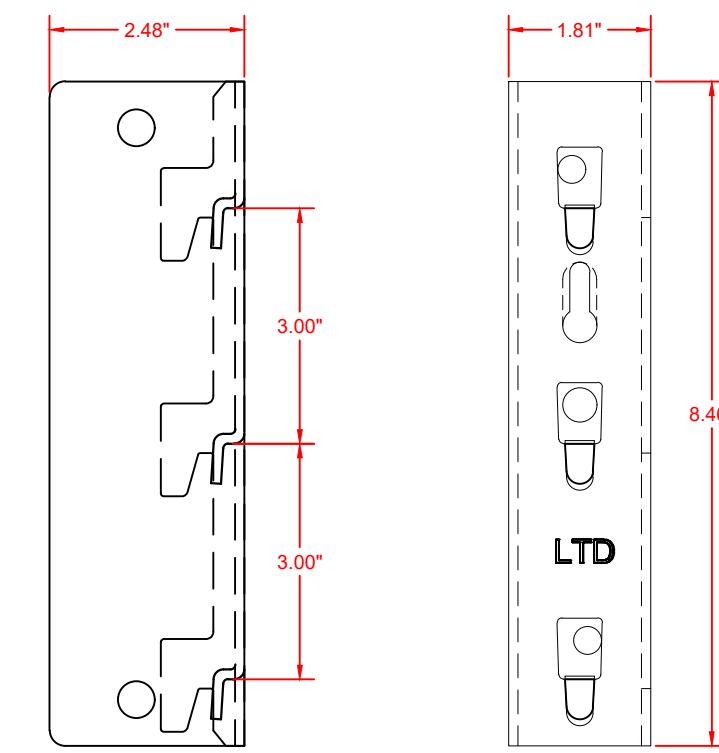
TD
4"
Perspective

Plot Date: 7/30/24		Drawing #: Upright Frames Redi Rack	
Designer(s): GA		Sheet #: 2 OF 5	
		Rev #: 4	

Revision Information	
Rev #	Changes
Date	

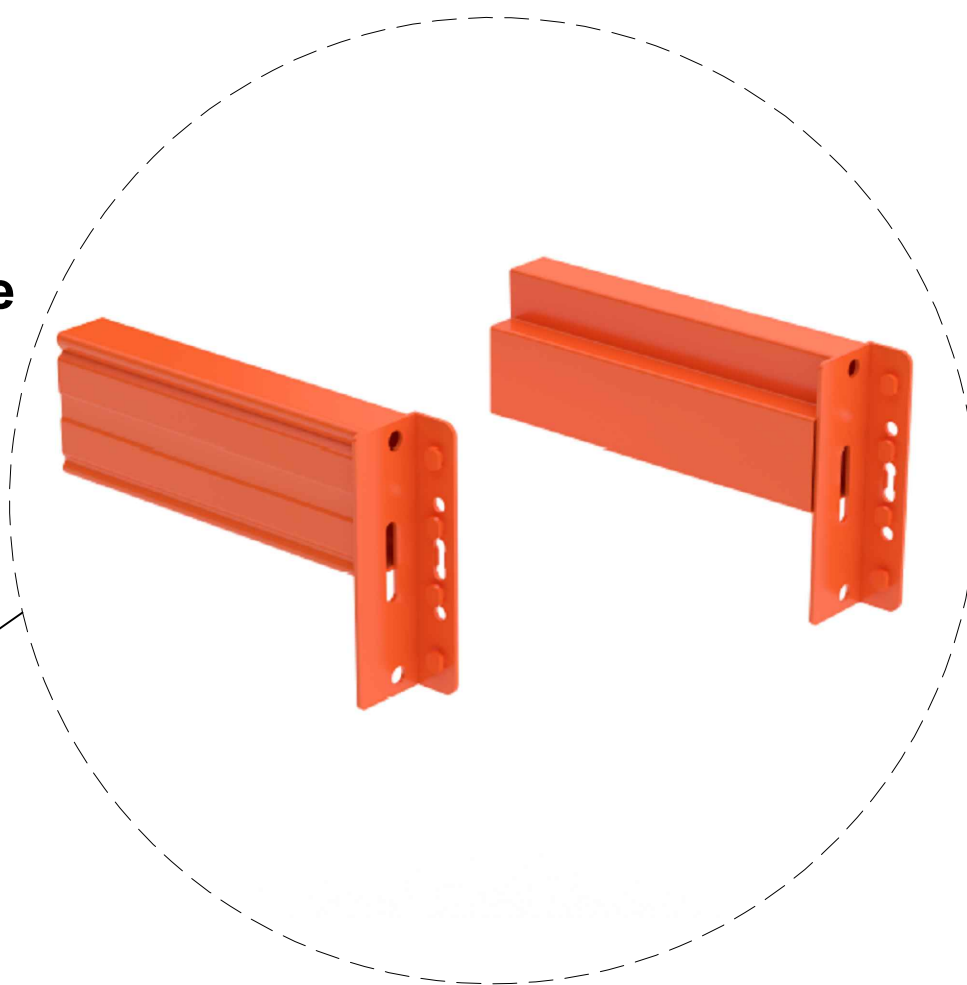


TD Bracket

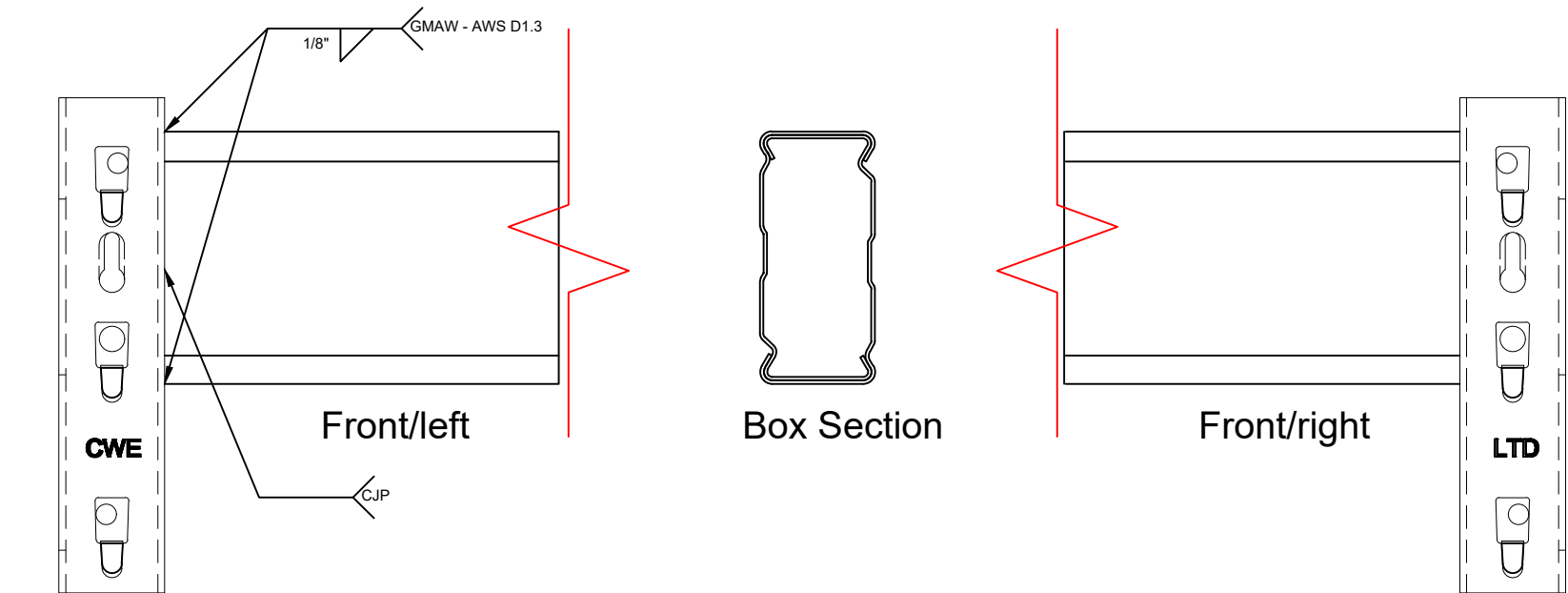


RR Bracket

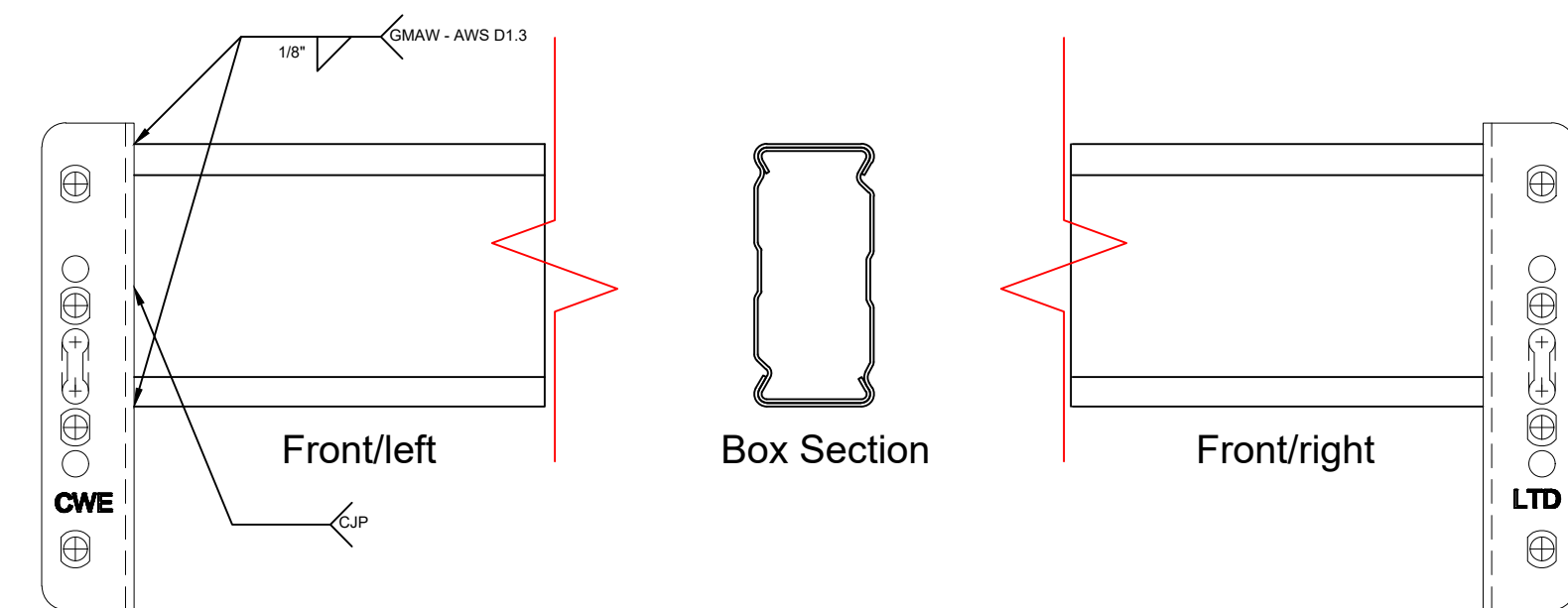
TD
Perspective



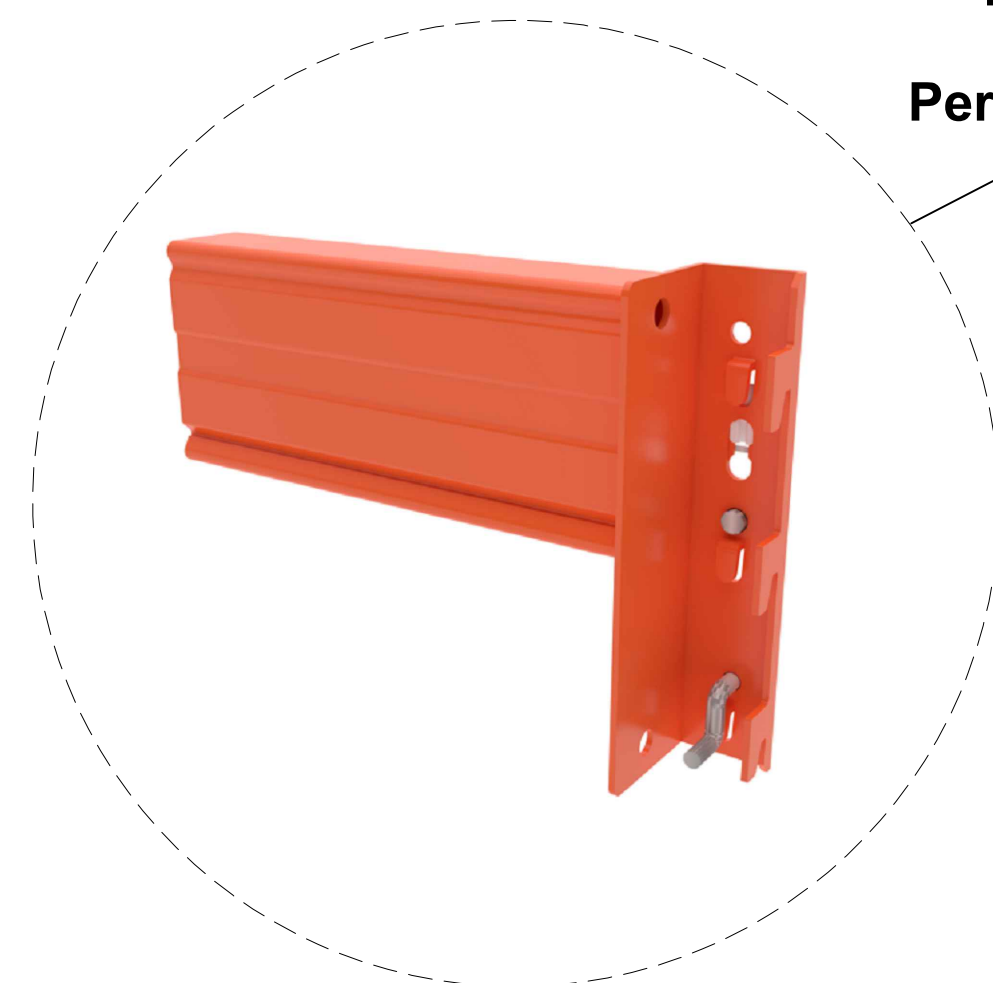
D1 Bracket Redirack Views



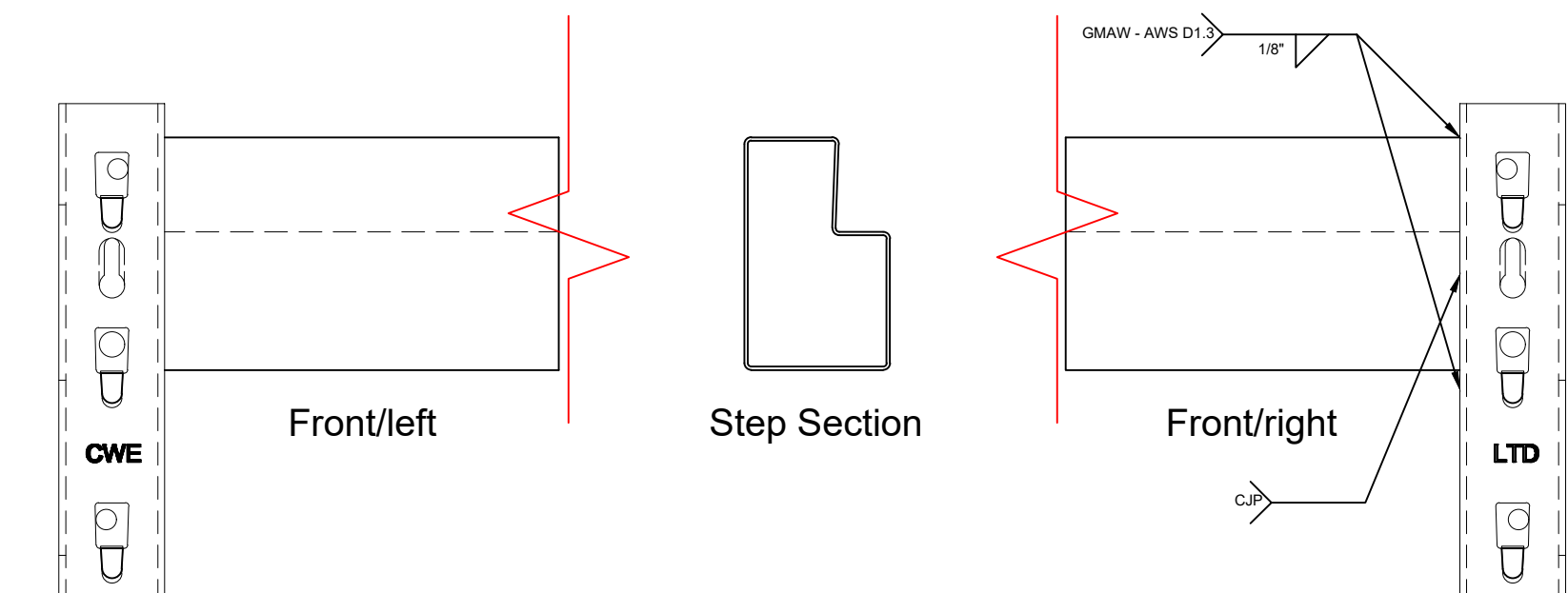
C1 Bracket Teardrop Views



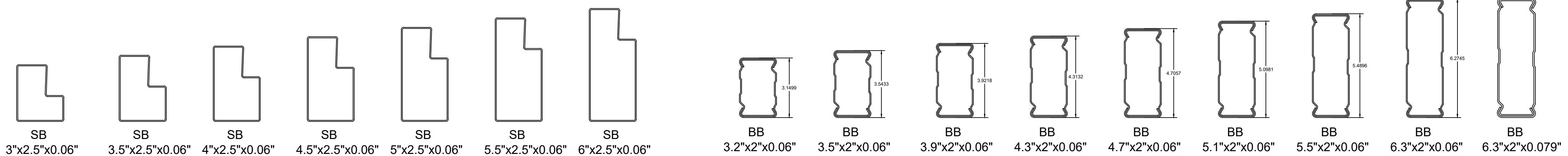
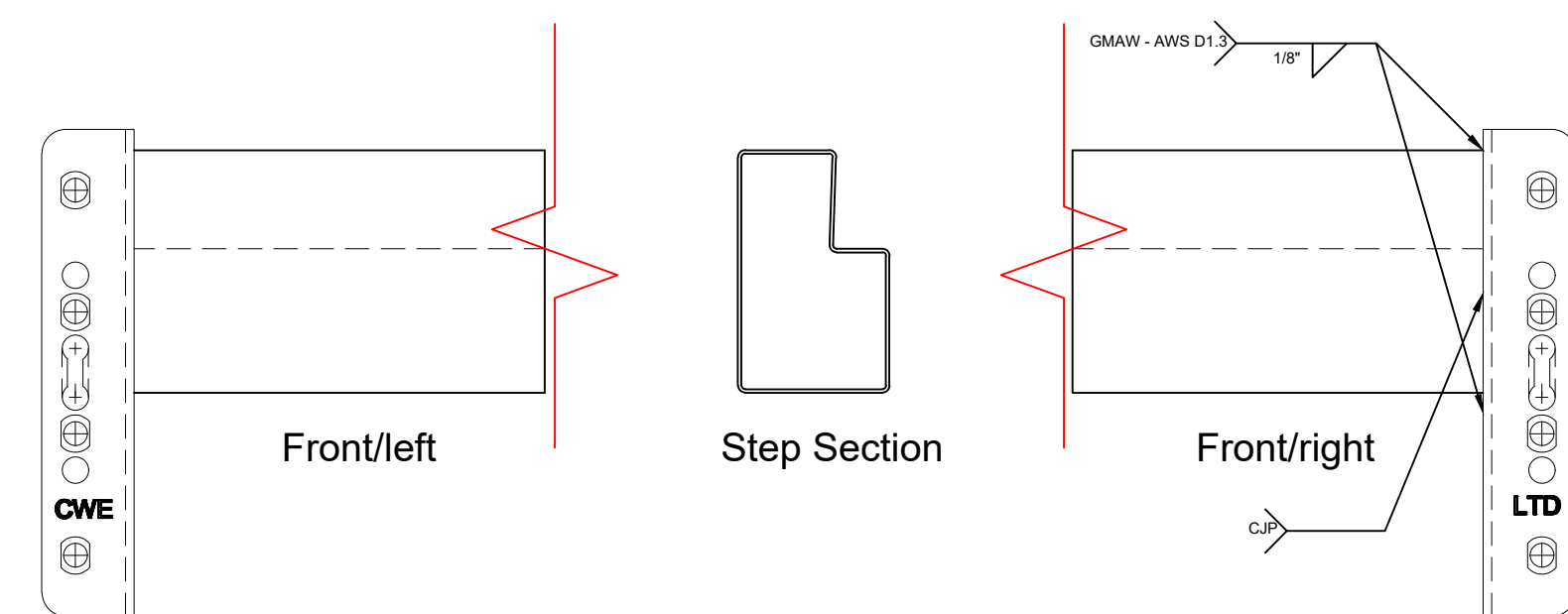
RR
Perspective



D2 Beam Connector Redirack Views

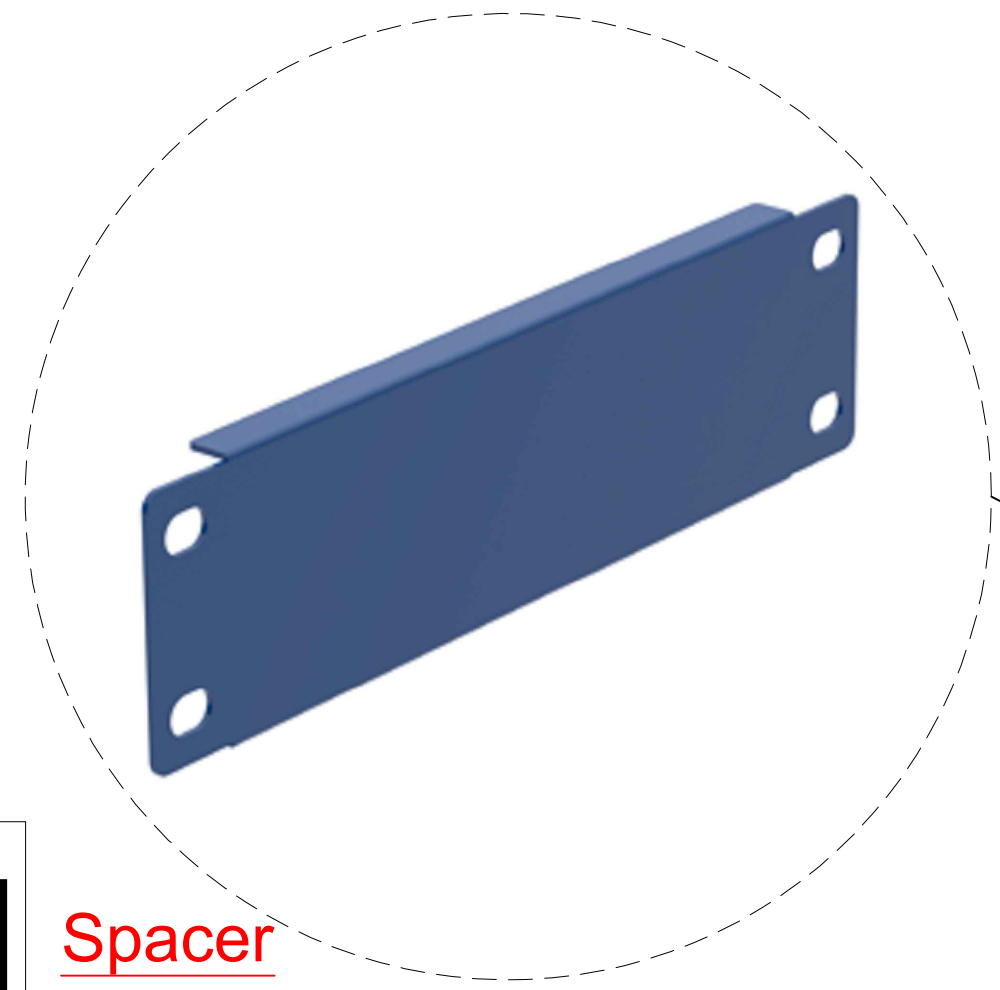


C2 Beam Connector Teardrop Views

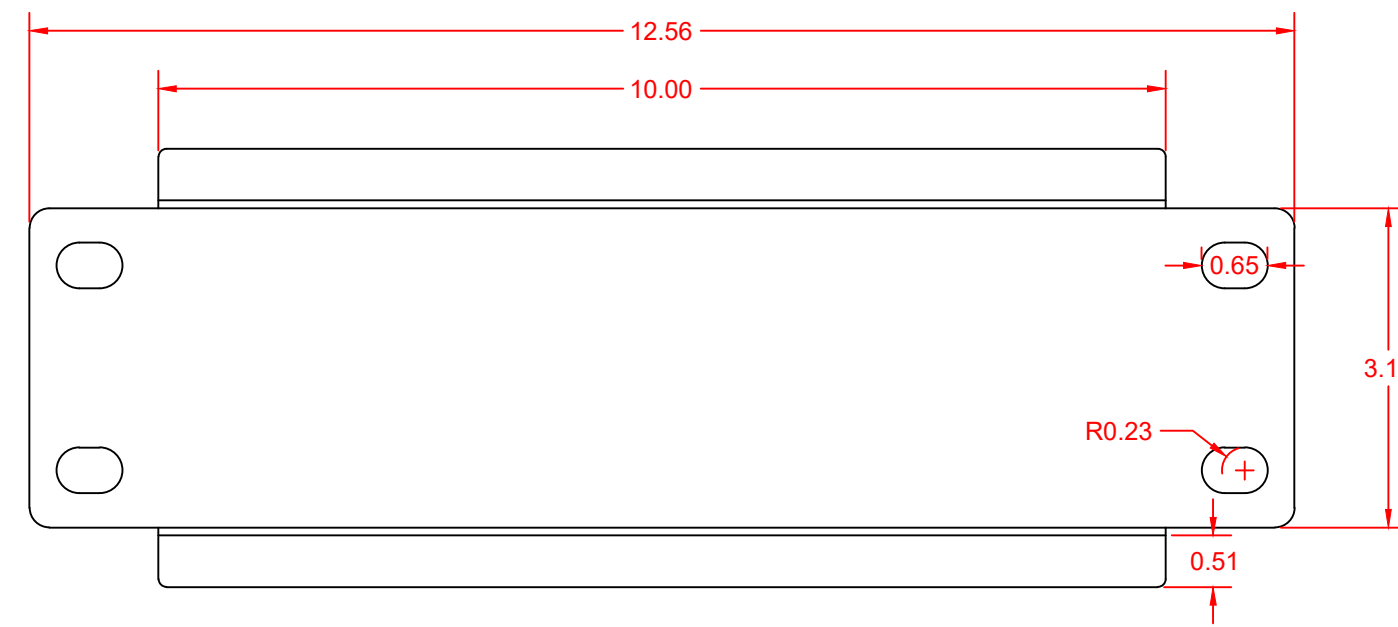


Plot Date: 7/30/24		Drawing #: Beams TD & RR	
Designer(s): GA		Sheet #: 3 OF 5	
Rev #		4	

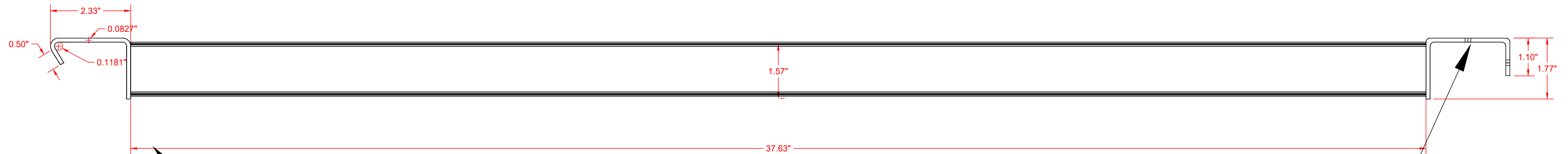
Revision Information	
Rev #	Changes
Date	



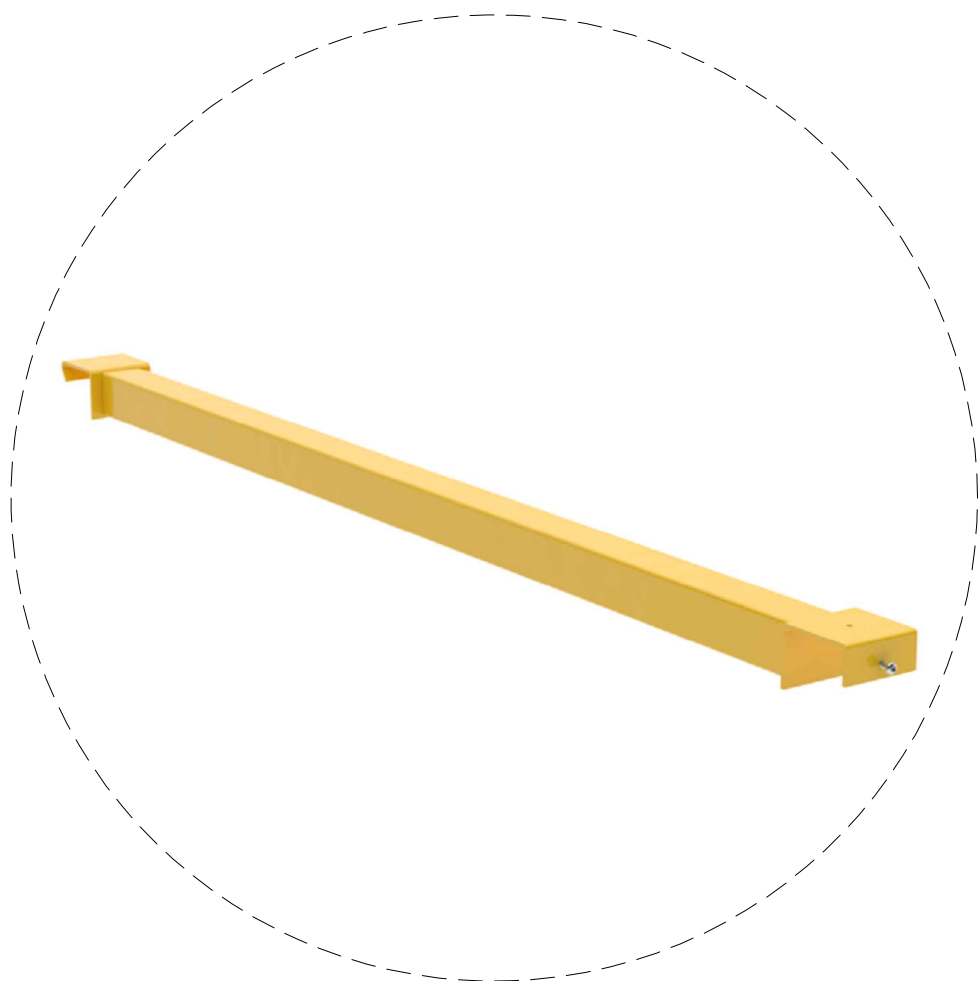
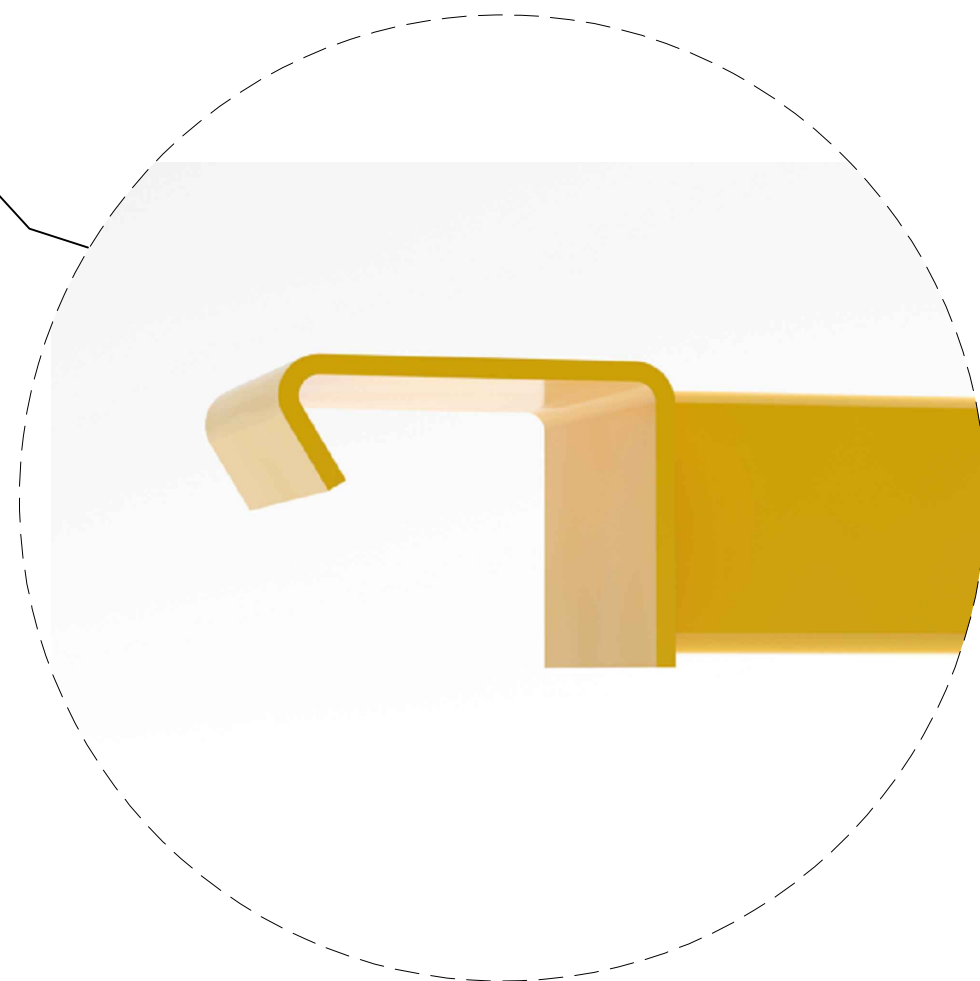
E1 Spacer Views



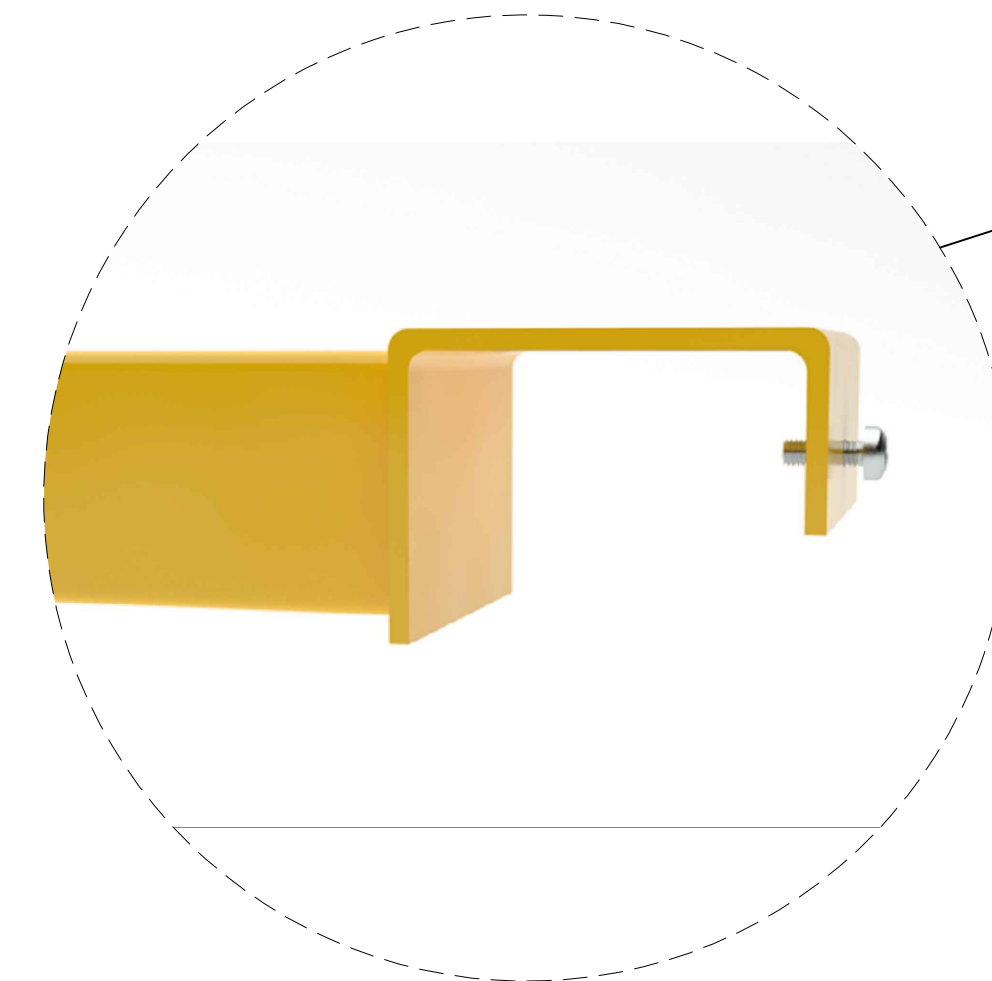
3D
Perspective



F1 Safety Bar Views



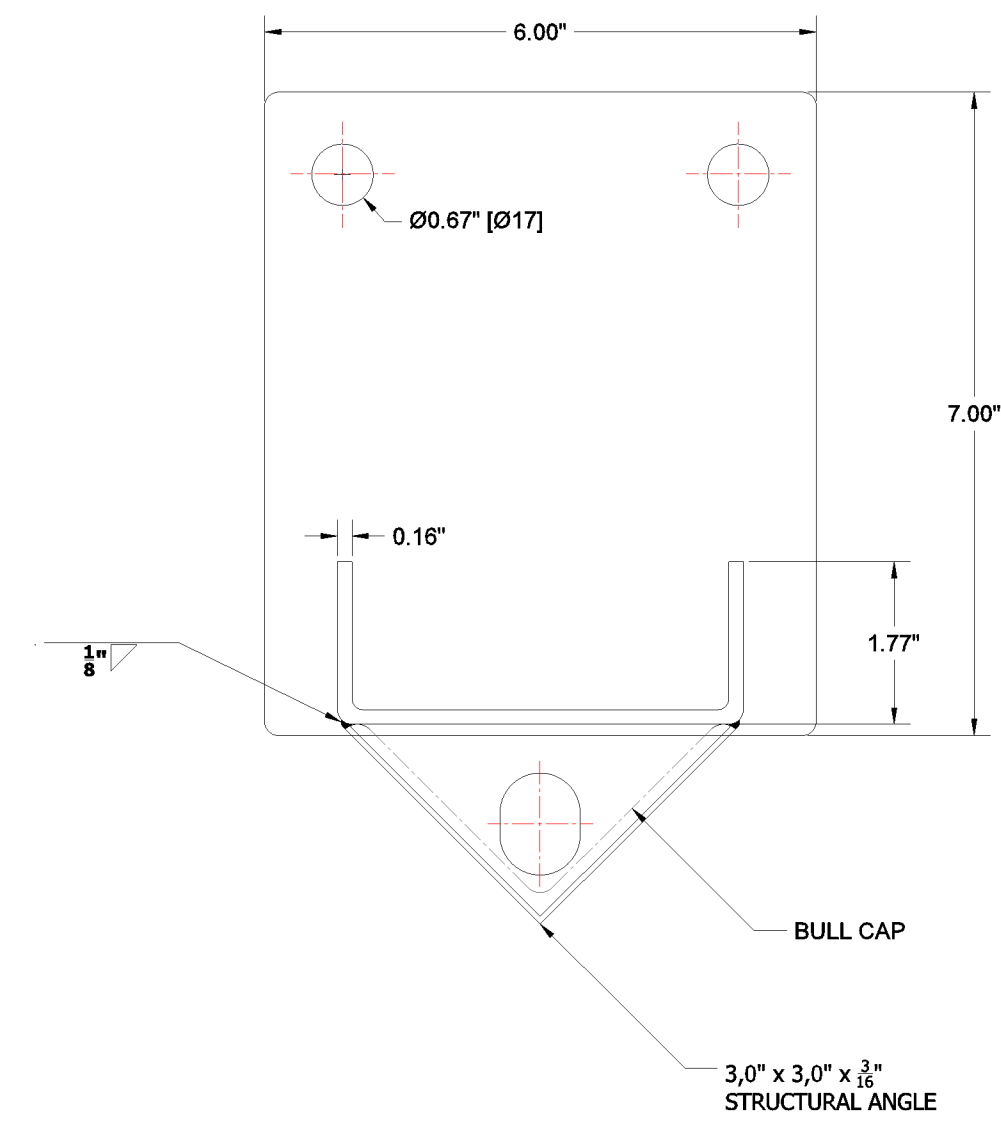
3D
Perspective



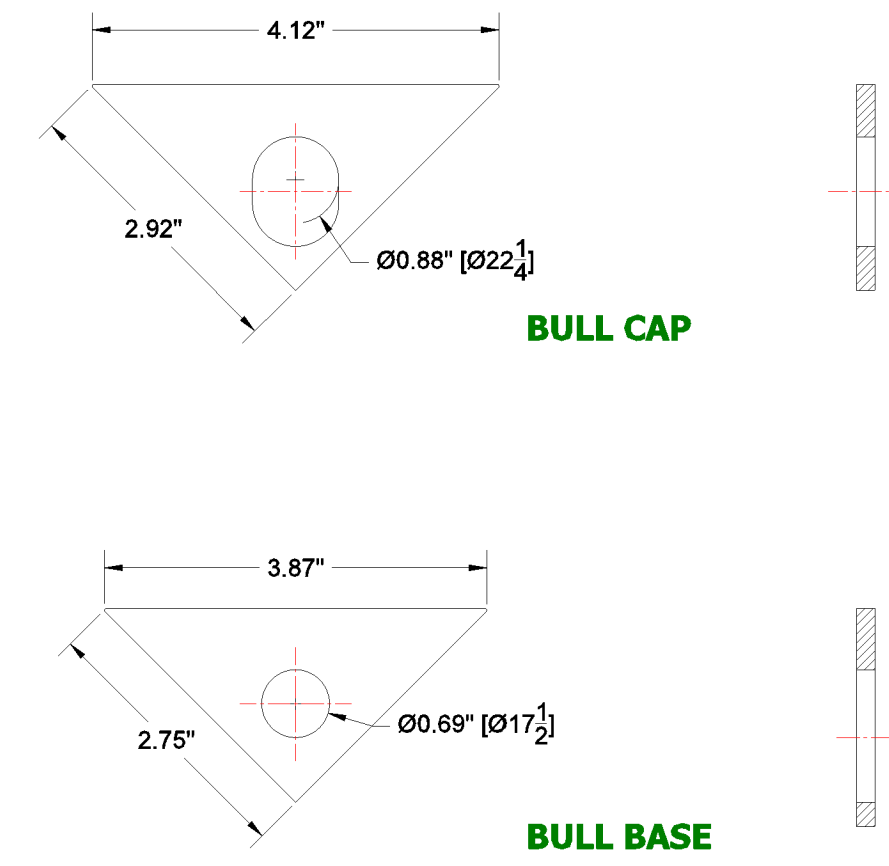
Front
View

<small>Plot Date: 7/30/24</small>		<small>Drawing #: Row Spacer & Safety Bar</small>	
<small>Designer(s): GA</small>		<small>Sheet #: 4 of 5</small>	
		<small>Rev #</small> 4	

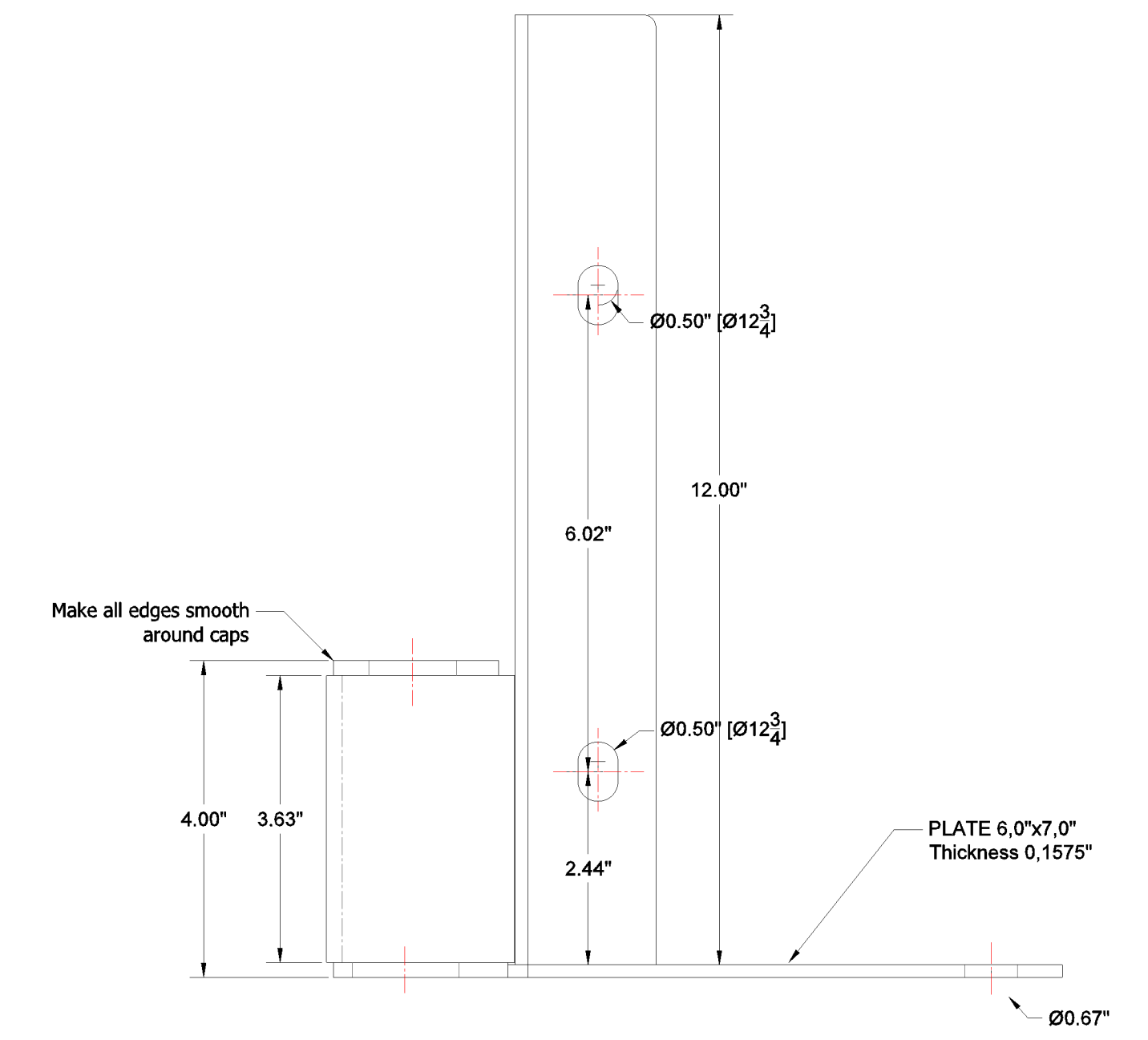
Revision Information	
Rev #	Changes
Date:	



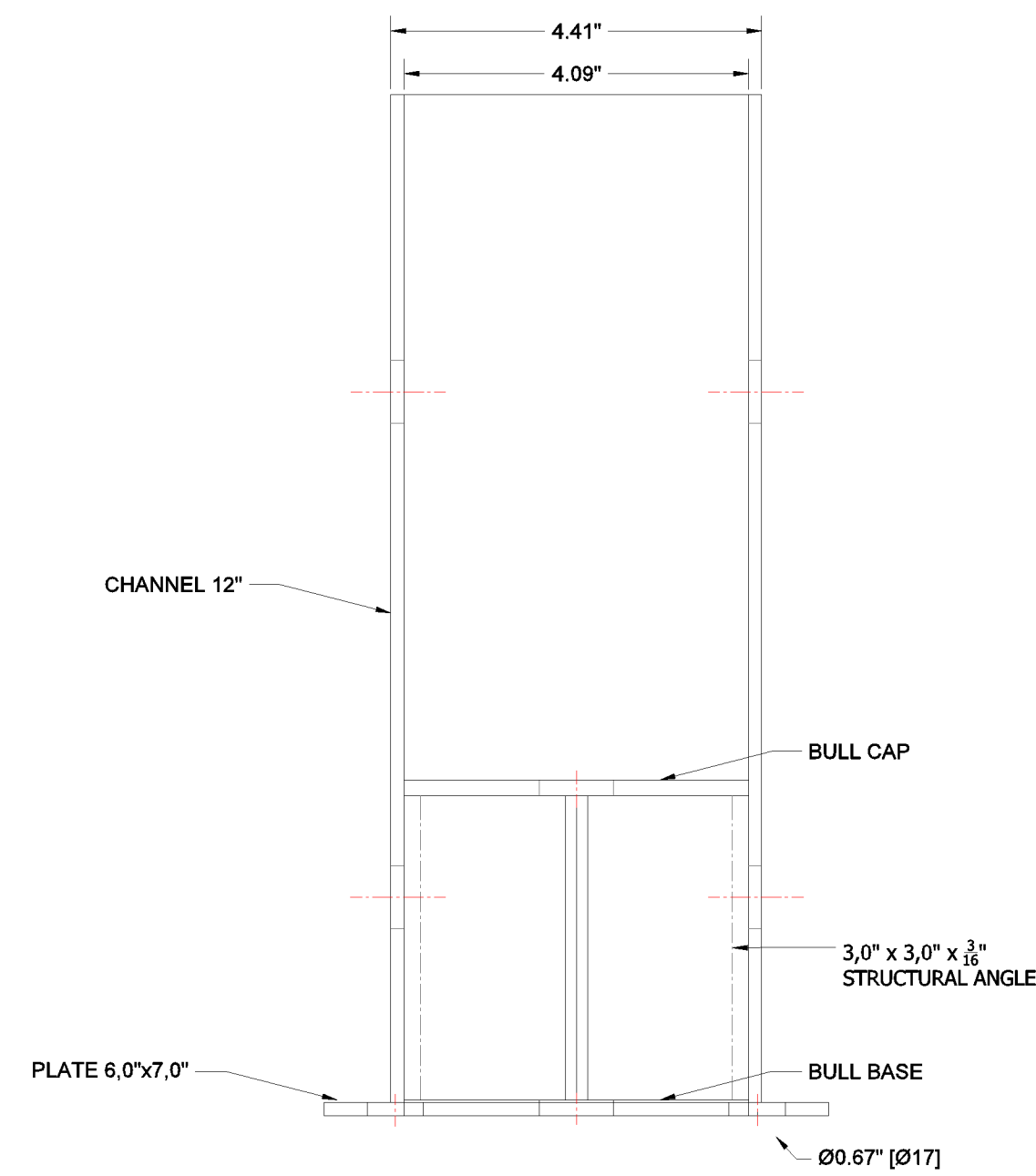
G1 BASE PLATE GUARD 12"
TOP VIEW



G2 BASE PLATE GUARD 12"
PARTS VIEWS



G3 BASE PLATE GUARD 12"
SIDE VIEW

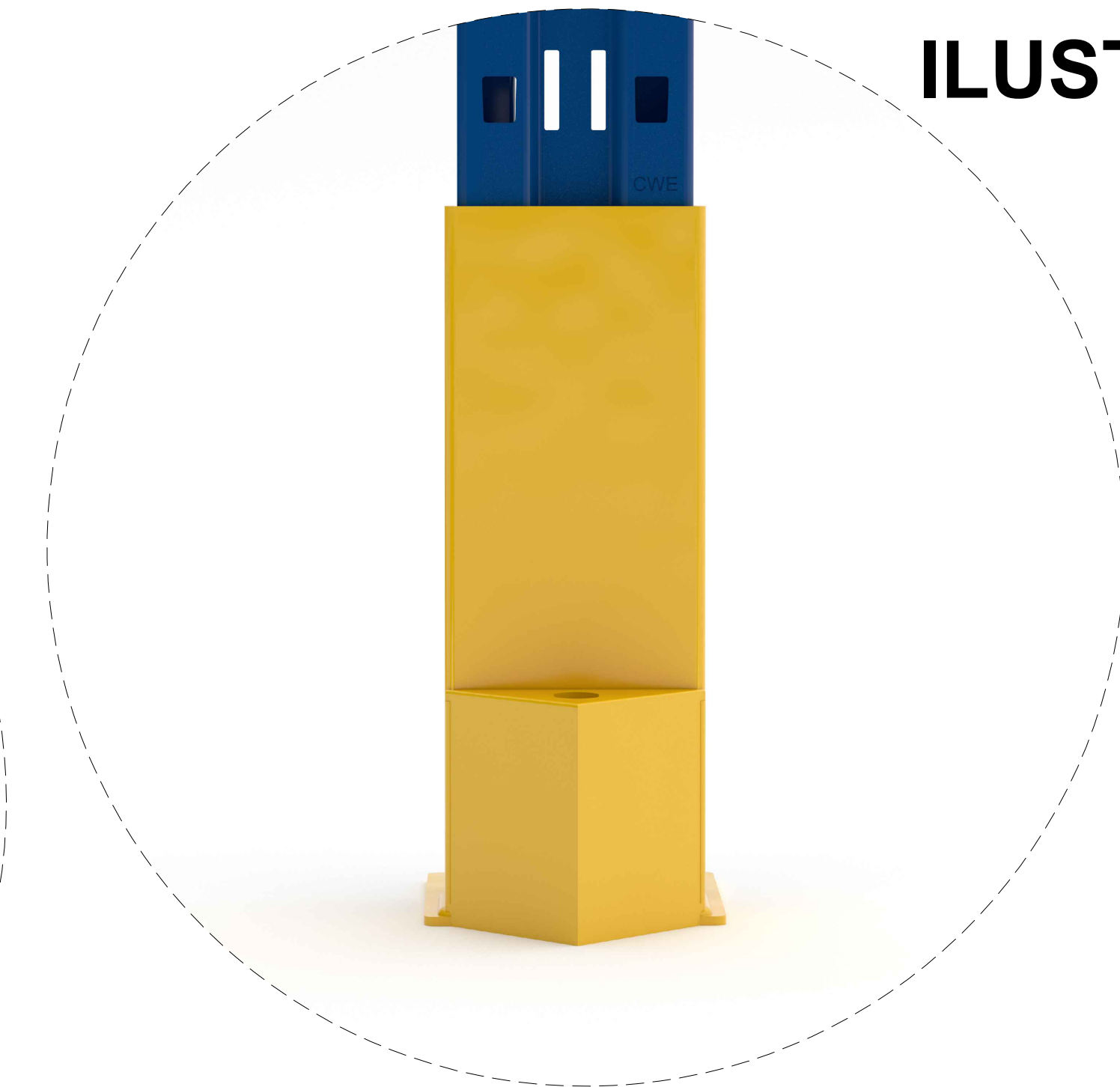


G4 BASE PLATE GUARD 12"
FRONT VIEW

ILUSTRATION
Perspective



ILUSTRATION
Perspective



RNW Rack NetWork www.RNW.ca	CWE.LTD CUSTOMER EQUIPMENT LTD
Plot Date: 5/16/24	Drawing #: Upright Frames 4 inches
Designer(s):	Sheet #: 1 of #
Rev #:	#: